



VK series

Cylindrical M18 in AC inductive sensors



features

- Output: cable and M12 plug cable exit
- Models with 2 wires
- IP 67 protection degree
- Multivoltage 20 ...253 Vac



web contents

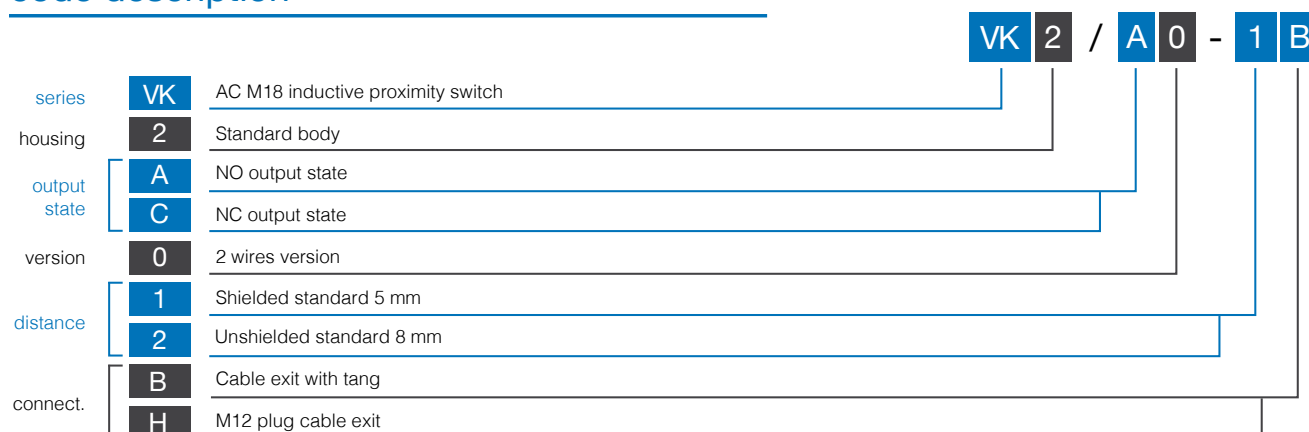


- Application notes
- Photos
- Catalogue / Manuals





Cylindrical M18 in AC

code description



available models

diameter	installation	distance	plug	distance (mm)	NO	NC
M12	shielded	standard	cable with tang	5	VK2/A0-1B	VK2/C0-1B
			M12		VK2/A0-1H	VK2/C0-1H
	unshielded		cable with tang	8	VK2/A0-2B	VK2/C0-2B
			M12		VK2/A0-2H	VK2/C0-2H

	VK2/**-1*	VK2/**-2*
		
nominal sensing distance S_n	5 mm	8 mm
operating distance	0 ... 4 mm	0 ... 6.5 mm
hysteresis	1 ... 20%	
standard target	18x18 mm FE360	24x24 mm FE360
repeatability	5%	
operating voltage	20 ... 253 Vac – 50/60 Hz	
inrush current	7A (Ton = 10 ms)	
output current	5 ... 300 mA RMS	
output type	TRIAC – NO or NC	
leakage current	1 mA RMS max.	
switching frequency	25 Hz	
power on delay	200 ms	
ambient temperature range	-25° ... +70°C	
temperature drift of S_r	10% S_r	
short-circuit protection	-	
LEDs	yellow (output energized)	
protection degree	IP 67 ⁽¹⁾	
EMC	in conformity with the EMC Directive according to IEC 60947-5-2	
shocks and vibrations	IEC 60947-5-2	
housing material	nickel-plated brass	
active head material	PBT	
connection	cable 2 m PVC - plug M12	
weight	30 g M12 connector 107 g cable	
tightening torque	25 Nm	

⁽¹⁾ Protection guaranteed only with plug cable well mounted

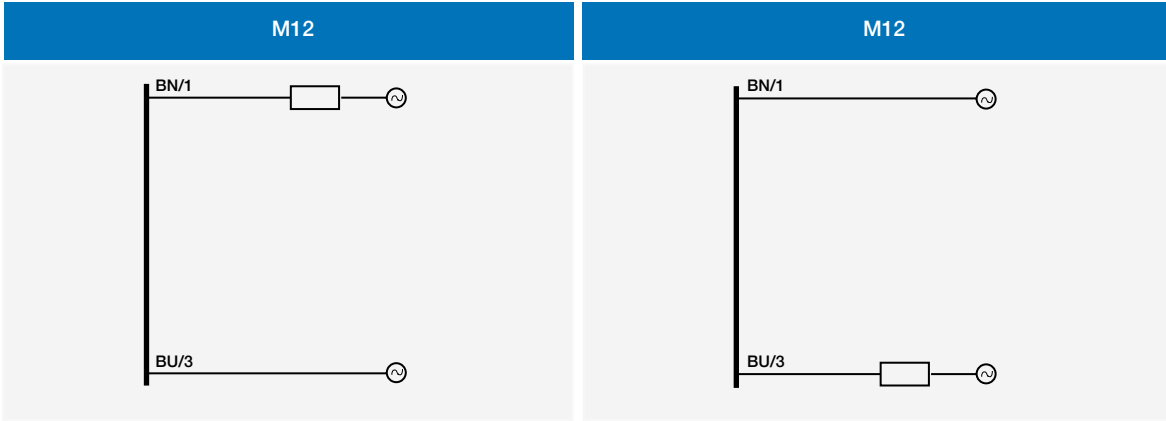
correction factors

code	steel FE 360	copper	aluminium	brass	stainless steel
VK2/**-1*	1	0.35	0.40	0.50	0.80
VK2/**-2*		0.40	0.45	0.55	0.95

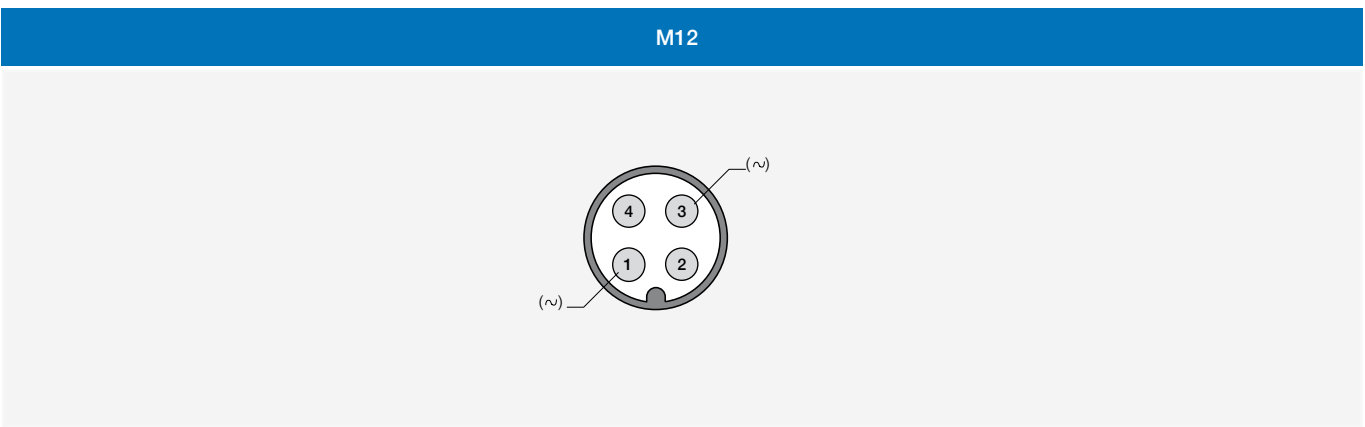
electrical diagrams of connections



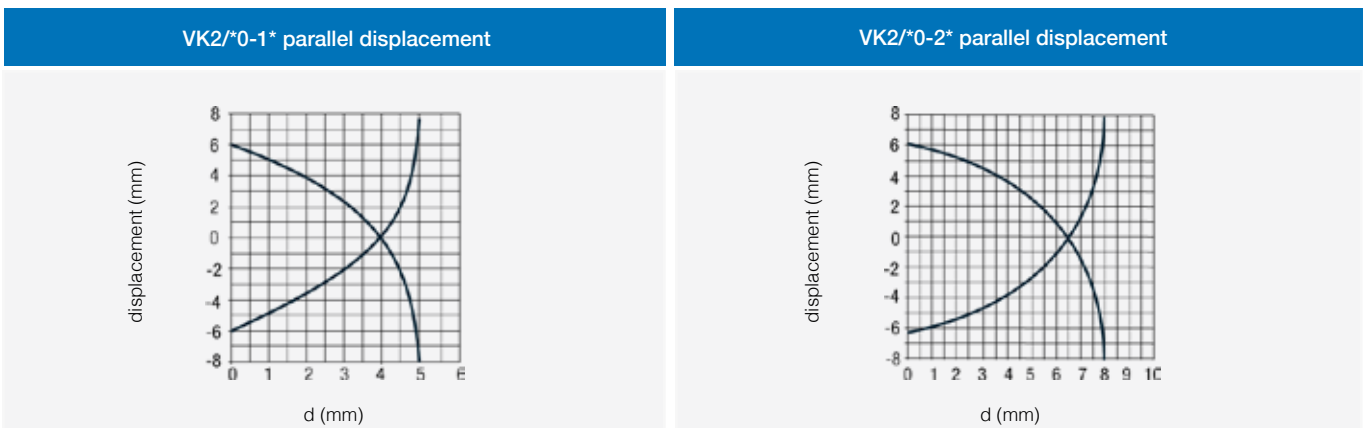
Cylindrical M18 in AC



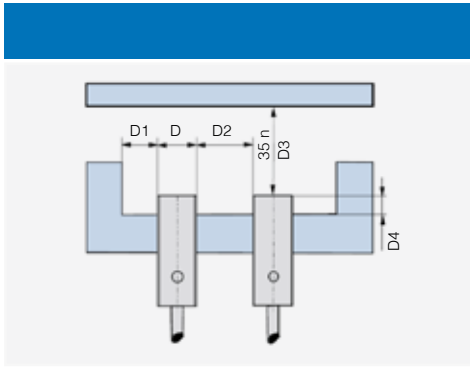
plug



response diagram

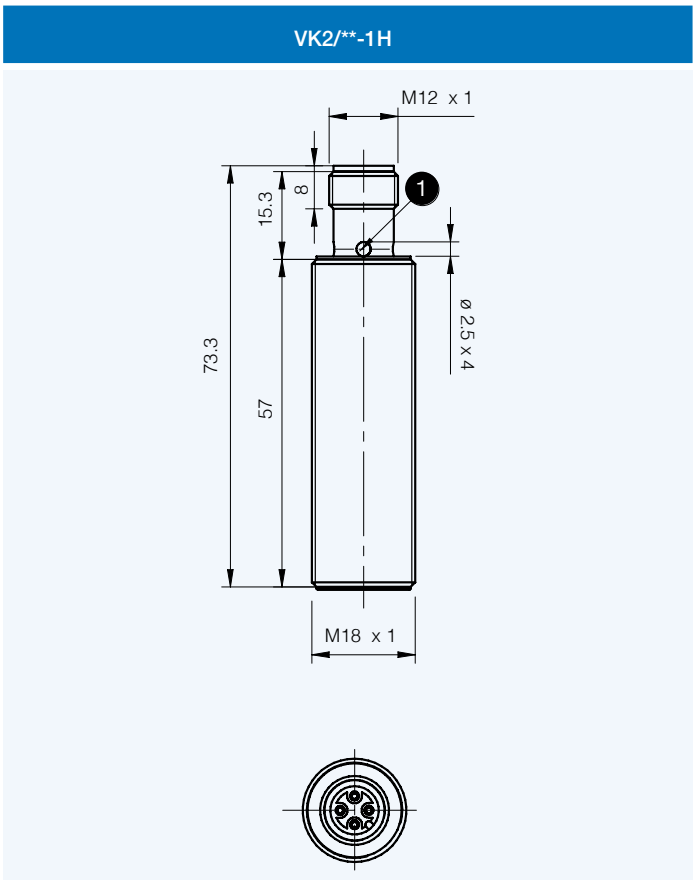
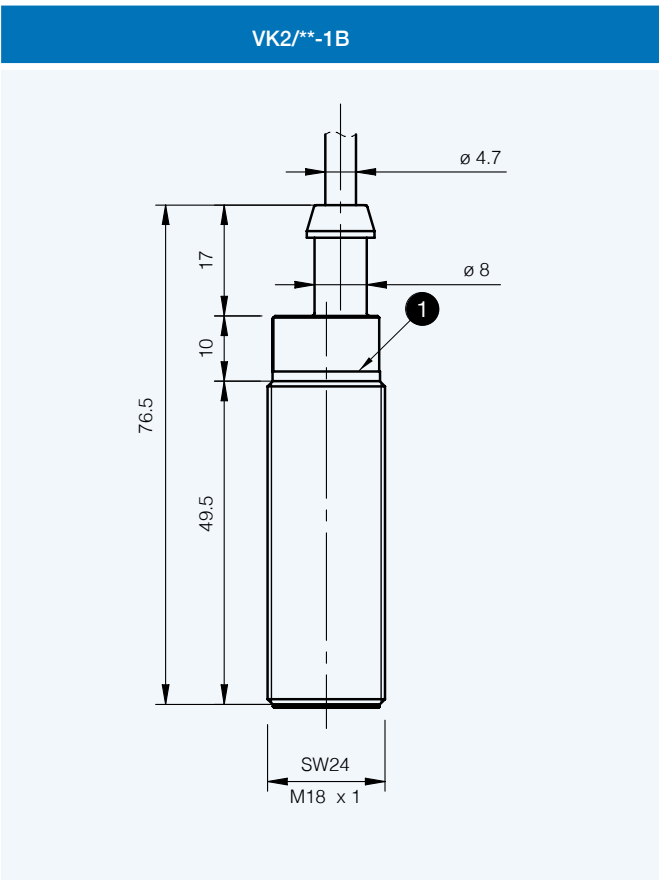


installation



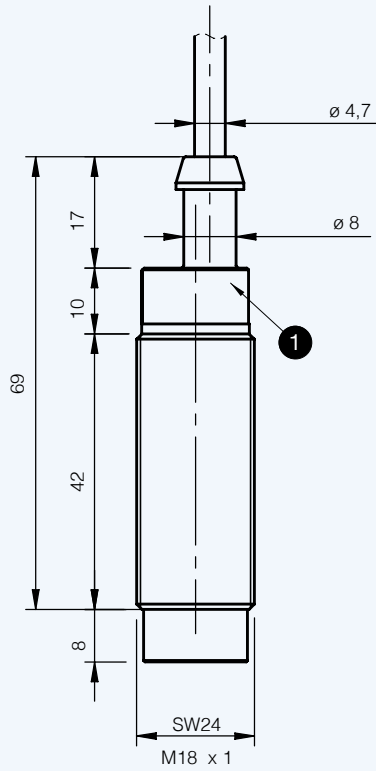
code	D4	D1	D2	D3
VK2/**-1*	≥ 1.35 mm	≥ 5 mm	≥ 18 mm	≥ 15 mm
VK2/**-2*	≥ 8.5 mm	≥ 8 mm	≥ 36 mm	≥ 24 mm

dimensions (mm)

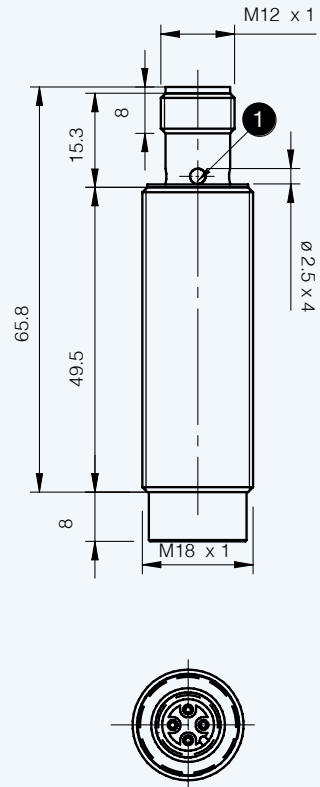


1 LED

VK2/**-2B



VK2/**-2H



Cylindrical M18 in AC

dimensions (mm)

accessories included in all M18 models

